



DKM AC/DC Geared Motor and Gearhead

www.dkmmotor.com.cn



DKM Motor Co., Ltd.

4F., Incheon Techpia Na-Bldg., 223-38,
Seoknam2-dong, Seo-gu, Incheon,
Republic of Korea

Tel. +82 32 574 7788 | Fax. +82 32 578 7787
www.dkmmotor.com | info@dkmmotor.com

Printed in Korea 09/2011



DKM AC/DC Geared Motor and Gearhead

www.dkmmotor.com.cn



苏州菲曼德精密机械设备有限公司



Leading Automation -
DKM drives power of the world.

Management Philosophy

Trust and Value to the Customers

Core Value

- Open Management**
- Speed Management**
- Quality Management**
- Customer-oriented Management**

History

- 1983 The father company, 'Daekyung Machinery Co.' founded
- 1987 Developed 'Small Geared Motor' first time in Korea
- 1990 Starts export to overseas markets including China
- 1993 Acquired 'Q Mark' in Small Geared division from Korean government
- 1994 Acquired 'NT New Technology Mark' from Korean government
- 1995 Starts export to India, Indonesia and Malaysia
- 1999 Acquired CE (in some parts of Induction Motor) Advanced into Europe
- 2000 Changed company name to DKM Co., Ltd., the holding company
- 2002 Acquired ISO 9001:2000
- 2004 Acquired 'CCC' certificate
- 2005 Established 'DKM Shanghai Co., Ltd.' in Shanghai, China
- 2008 Established 'DKM South Asia Pte Ltd.' in Singapore
- 2009 Established 'DKM Europe' in Germany
- 2010 Relocation and extension of global headquarters
- 2011 Unveiled a new corporate identity

Contents

Contents	Page
DKM AC/DC Motor Lineup	5
AC Geared Motor	
Induction Motor	6
2 Pole Motor	8
Reversible Motor	10
Electromagnetic Brake Motor	12
Clutch & Brake Motor	14
Torque Motor	16
Speed Control Motor	18
DC Geared Motor	20
Gearhead	21
DKM Global Network	24

DKM AC/DC Motor Lineup

● = Available

AC Geared Motor

Frame Size	□ 60mm		□ 70mm			□ 80mm		□ 90mm					
	6W	6W	10W	15W	15W	25W	40W	60W	90W	120W	150W	180W	200W
Induction Motor	●	●	●	●	●	●	●	●	●	●	●	●	●
2 Pole Motor					●	●	●	●	●	●	●		●
Reversible Motor	●	●	●	●	●	●	●	●	●				
Electromagnetic Brake Motor		●	●	●	●	●	●	●	●	●	●	●	●
Clutch & Brake Motor					●	●	●	●	●				
Torque Motor		●			● (10W)	● (20W)	● (30W)	● (40W)					
Speed Control Induction		●	●	●	●	●	●	●	●			●	
Speed Control Reversible		●	●	●	●	●	●	●	●				
Speed Control Brake					●	●	●	●	●			●	
Speed Control Clutch & Brake					●	●	●	●	●				

DC Geared Motor

Frame Size	□ 60mm		□ 80mm		□ 90mm		Connection
	15W	25W	40W	60W	90W	120W	
Voltage	DC 12V	●	●	●	●	●	Lead Wire Type
	DC 24V	●	●	●	●	●	
	DC 90V	●	●	●	●	●	



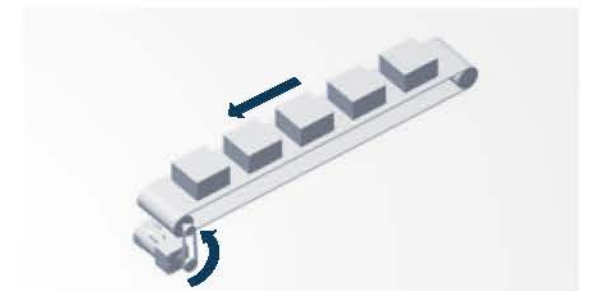
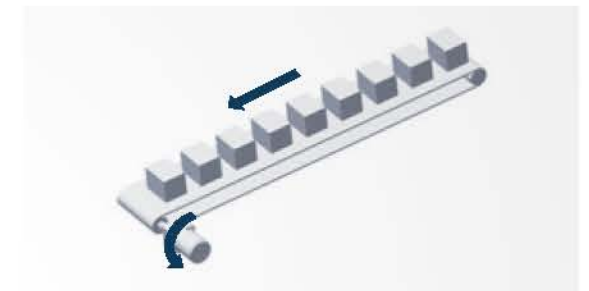
AC Geared Motor

Induction Motor



AC Geared Motor / Induction Motor

- Constant speed with continuous operation
- Stop in 2 sec. when switched off
- Over run: 30-40 times
- Possible for reverse rotation
- Rated operating time: Continuous run
- Frame Size: 60/70/80/90mm
- Output: 6W, 10W, 15W, 25W, 40W, 60W, 90W, 120W, 150W, 180W, 200W
- Voltage: Single phase 100V-115V, 200V-240V and three phase 200V-440V
- Connection: Lead wire type and terminal box type



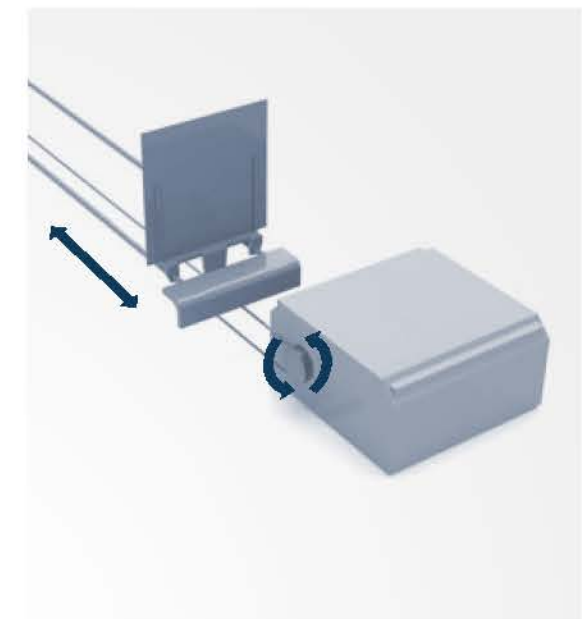
AC Geared Motor

2 Pole Motor



AC Geared Motor / 2 Pole Motor

- High speed rotation
- 3,600 RPM (60Hz)
- 3,000 RPM (50Hz)
- Used without gearhead
- Possible for reverse rotation
- Rated operating time: Continuous run
- Frame Size: 80/90mm
- Output: 15W, 25W, 40W, 60W, 90W, 120W, 150W, 200W
- Voltage: Single phase 100V-115V, 200V-240V and three phase 200V-440V
- Connection: Lead wire type and terminal box type

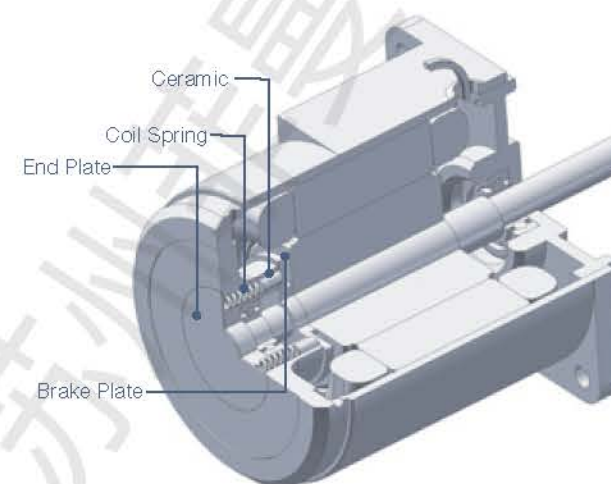


苏州菲曼德精密设备有限公司

苏州菲曼德精密机械有限公司

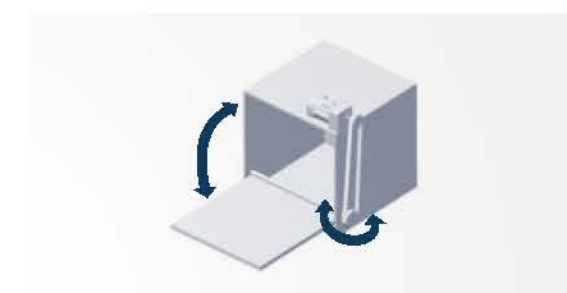
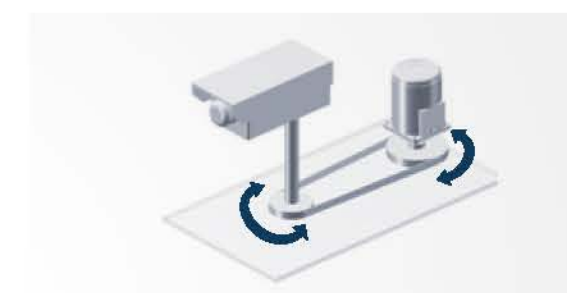
AC Geared Motor

Reversible Motor



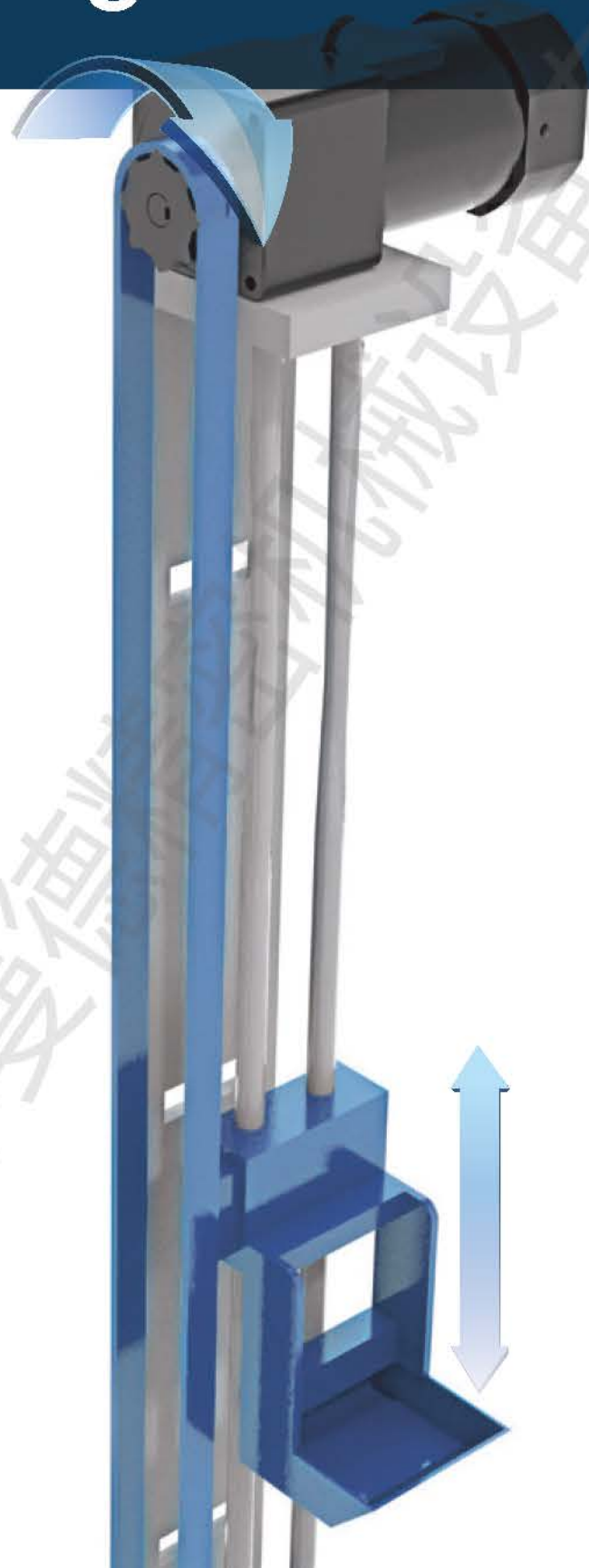
AC Geared Motor / Reversible Motor

- Suitable for frequent reverse operation
- Stop in 0.5 sec. when switched off
- Over run: 5-6 times
- Possible for reverse rotation
- Rated operating time: 30 min.
- Frame Size: 60/70/80/90mm
- Output: 6W, 10W, 15W, 25W, 40W, 60W, 90W, 120W
- Voltage: Single phase 110V-115V and 200V-240V
- Connection: Lead wire type and terminal box type



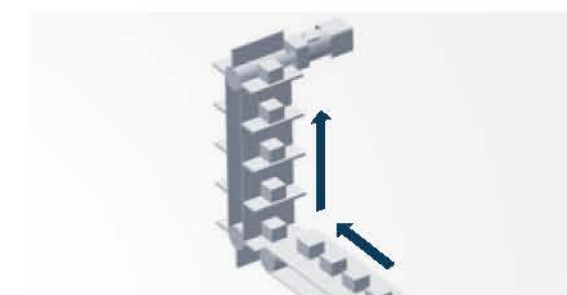
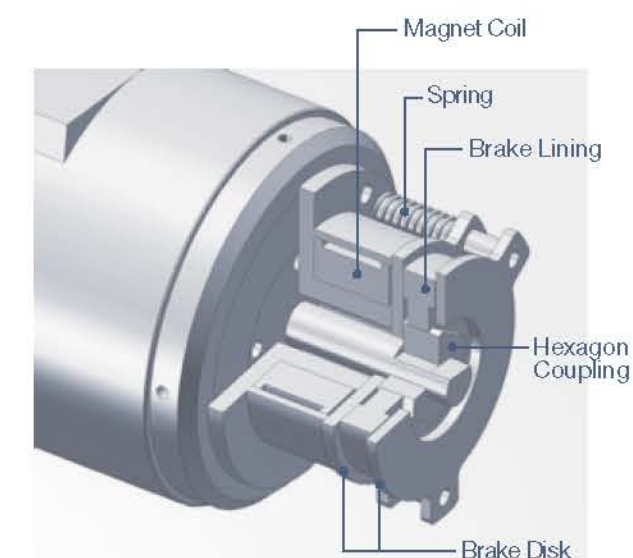
AC Geared Motor

Electromagnetic Brake Motor



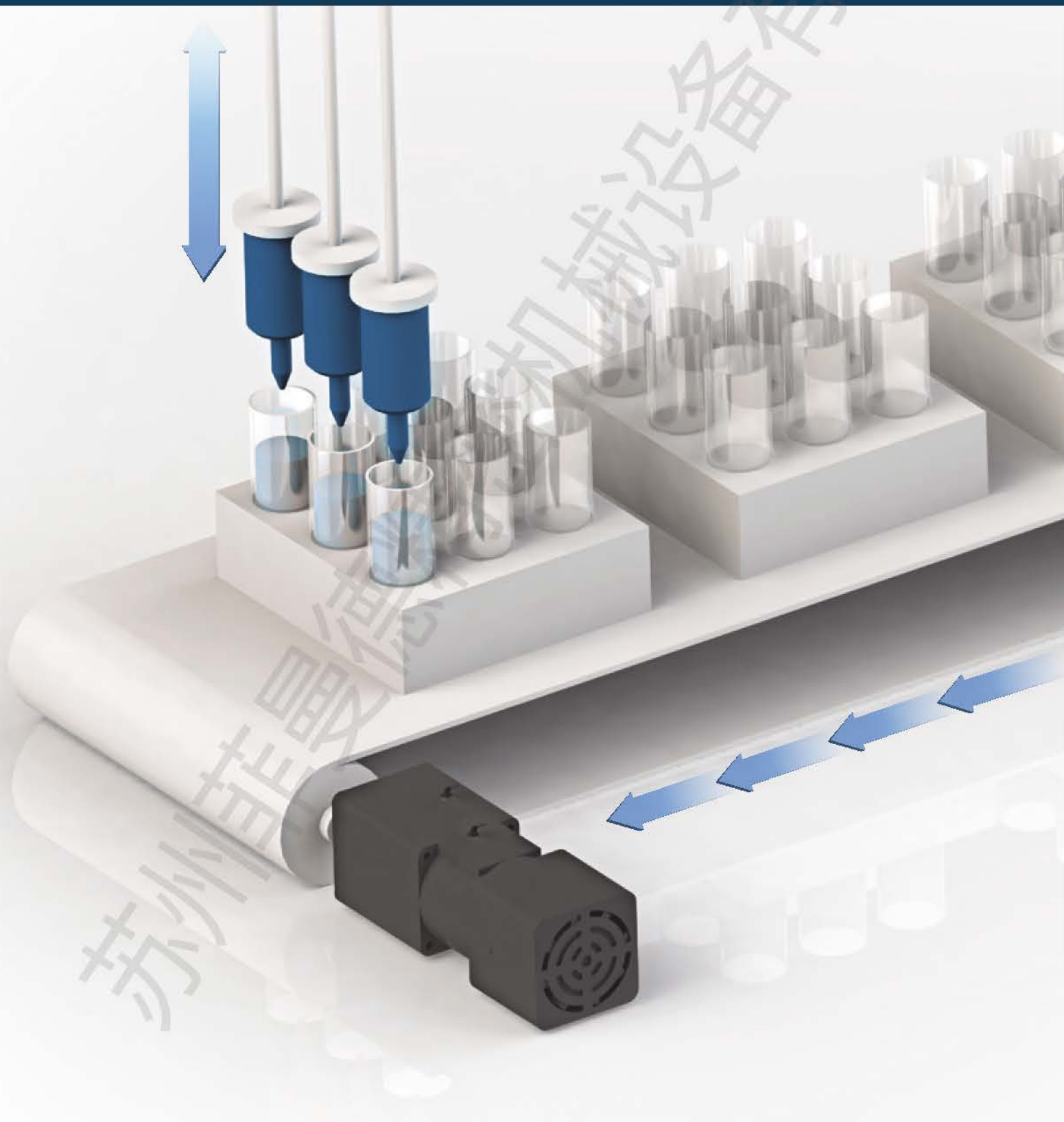
AC Geared Motor / Electromagnetic Brake Motor

- Suitable for operation where load should be maintained
- Stop in 0.2 sec. when switched off
- Over run: 2-3 times
- Possible for reverse rotation
- Rated operating time: 30 min. (Single phase), Continuous run (Three phase)
- Frame Size: 70/80/90mm
- Output: 6W, 10W, 15W, 25W, 40W, 60W, 90W, 120W, 150W, 180W, 200W
- Voltage: Single phase 100V-115V, 200V-240V and three phase 200V-440V
- Connection: Lead wire type



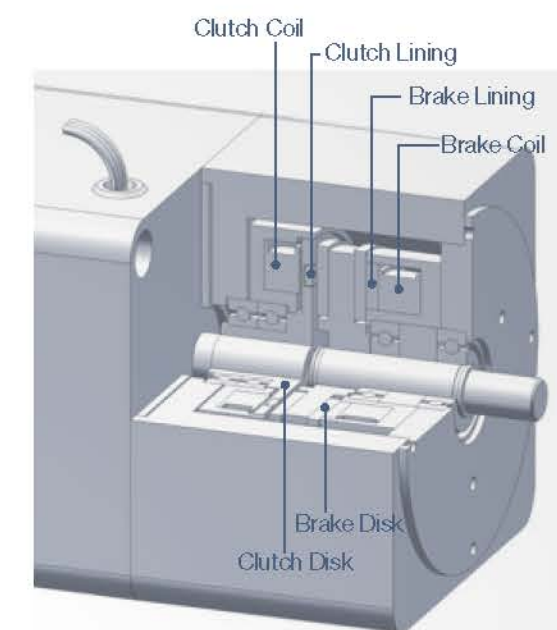
AC Geared Motor

Clutch & Brake Motor



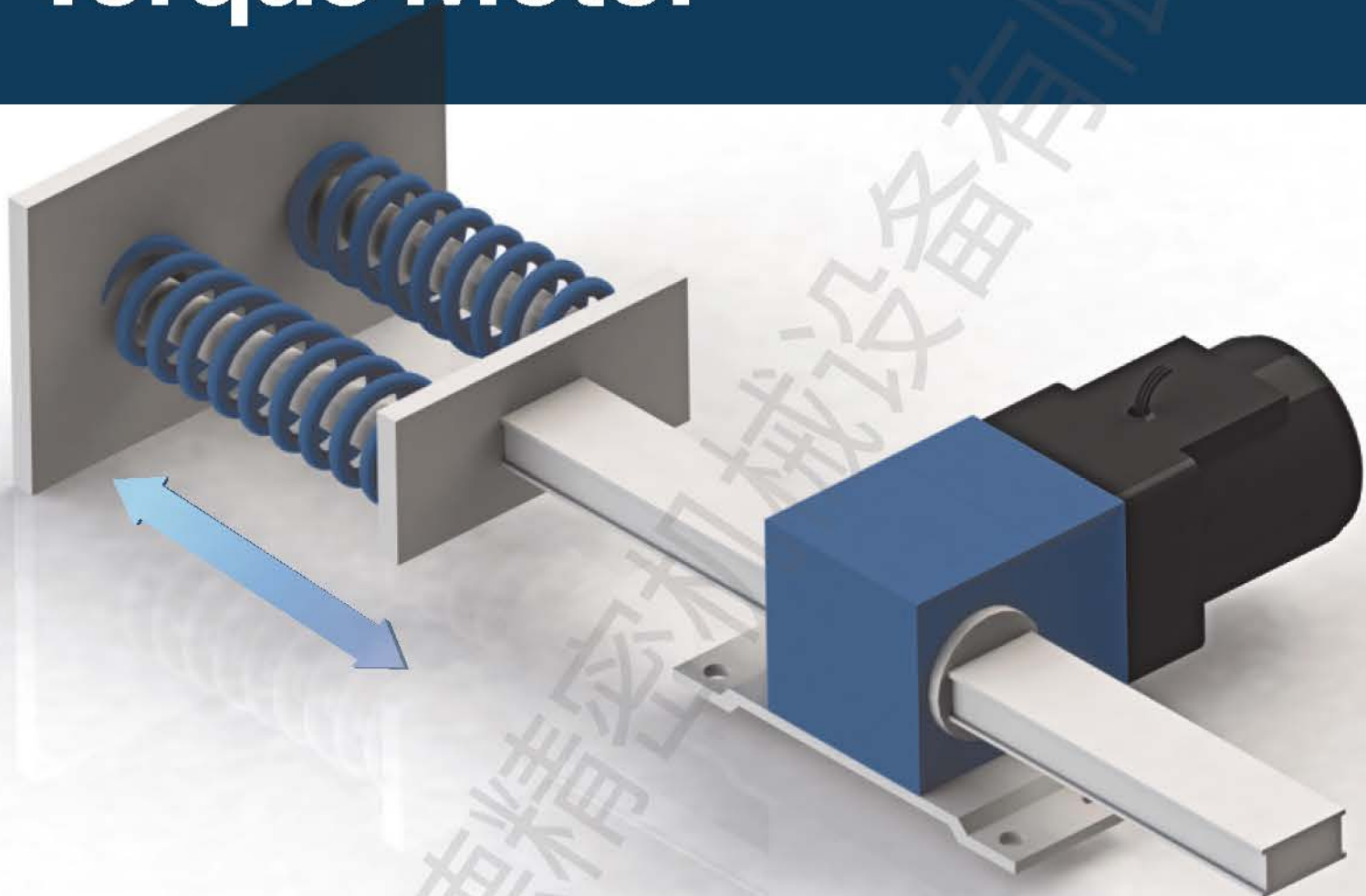
AC Geared Motor / Clutch & Brake Motor

- Suitable for high frequent start and stop operation
- Stop in 0.1 sec. when switched off
- Over run: 1 time
- Possible for reverse rotation
- Rated operating time: Continuous run
- Frame Size: 80/90mm
- Output: 15W, 25W, 40W, 60W, 90W, 120W
- Voltage: Single phase 100V-115V, 200V-240V and three phase 200V-440V
- Connection: Lead wire type



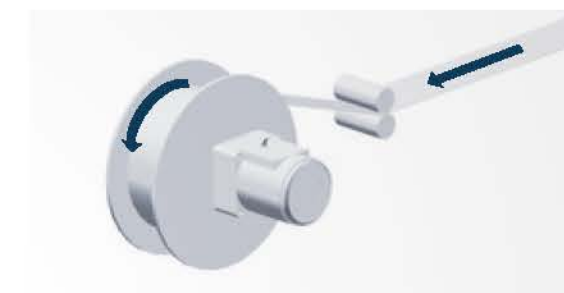
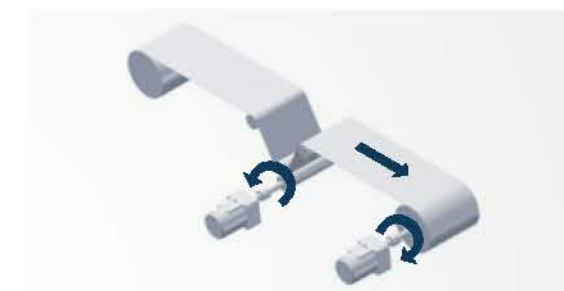
AC Geared Motor

Torque Motor



AC Geared Motor / Torque Motor

- Suitable for controlling tension and pushing in winding operations
- Possible for reverse rotation
- Easy control of motor torque by using torque controller
- By using the motor in the braking region of the speed-torque characteristics, it can be used as a brake.
- Possible for reverse rotation
- Rated operating time: 5 min. (with max. voltage), Continuous run (with 60% of max. voltage)
- Frame Size: 70/80/90mm
- Output: 6W, 10W, 20W, 30W, 40W
- Voltage: Single phase 100V-115V, 200V-240V and three phase 200V-440V
- Connection: Lead wire type



AC Geared Motor

Speed Control Motor

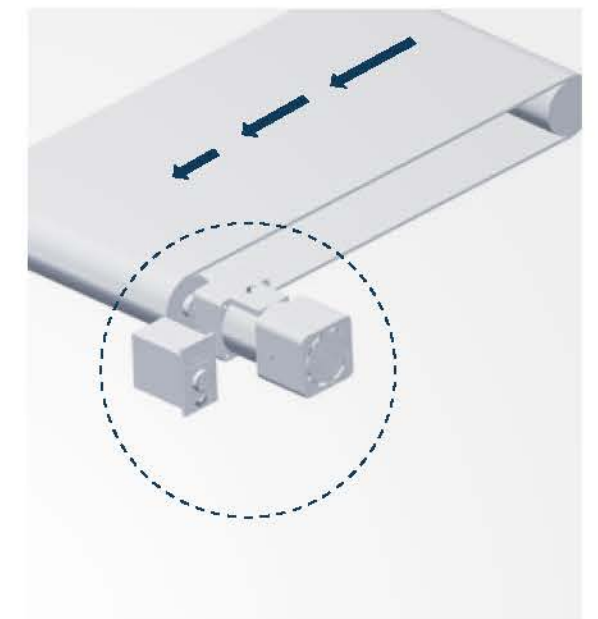


AC Geared Motor / Speed Control Motor

- Speed Control Motor allows you to set and adjust the speed of the motor easily by using speed controller
- Type: Speed Control Induction Motor, Speed Control Reversible Motor, Speed Control Brake Motor and Speed Control Clutch & Brake Motor

Speed Controller

- FX1000A: Front panel potentiometer, Unit type (Connecting motor with easy-to-use connector)
- DSK: Front panel potentiometer, Socket type (Connecting motor with socket)
- DSKS: Separate potentiometer, Socket type (Connecting motor with socket)



DC Geared Motor

- Big starting torque and high efficiency
- Easy to change the normal/reverse rotation
- Available to manufacture low voltage motor which can be applied to portable machines with various specifications.
- Parallel and worm gearheads can be attached to DC motors.
- DSD Speed Controller enables to adjust the speed easily.
- Frame Size: 60/80/90mm
- Output: 15W, 25W, 40W, 60W, 90W, 120W
- Voltage: DC 12V, 24V, 90V
- Connection: Lead wire type

Speed Controller DSD

- Front panel potentiometer, Unit type
- Applicable to DC 90V motor
- Easy speed adjustment by potentiometer on front panel



Gearhead

Parallel Gearhead

- Frame Size: 60/70/80/90mm

General Box Type
(GB Type)



Powerful Box Type
(PB Type)



Powerful Flange Type
(PF Type)



High Powerful Box Type
(HB Type)



High Powerful Flange Type
(HF Type)



Worm Gearhead

Worm gearheads allow the motor to be installed at the right or left axis of equipment such as conveyor belts. Worm solid type and worm hollow type are available.

- Frame Size
Worm Solid Type: 80/90mm
Worm Hollow Type: 90mm

Worm Solid Type
(W Type, Left Output Shaft)



Worm Solid Type
(W Type, Right Output Shaft)



Worm Solid Type
(W Type, Bi-directional Output Shaft)



Worm Hollow Type
(WH Type)



Inter-decimal Gearhead

In case of requiring high gear ratio that cannot be generated by single gearhead, inter-decimal gearhead is used with general gearhead. In this case only speed will reduce by 10:1 without torque increasing.

- Frame Size: 80/90mm
- Gear Ratio: 10:1



Parallel gearhead, worm gearhead and inter-decimal gearhead are available to be attached to gear type motor which possess the wide range of gear ratio from 2:1 to 360:1.

DKM Gearheads and Gear Reduction Ratio

● = Available

Type	Motor Output	Gearhead Model	Gear Reduction Ratio																																	
			2	3	3.6	5	6	7.5	9	10	12.5	15	18	20	25	30	36	40	50	60	75	80	90	100	120	150	180	200	250	300	360					
Parallel Gearhead	G Type	6W	6GBD□MH		●	●	●	●	●	●	●	●	●	●	●	●	●	●	●	●	●	●	●	●	●	●	●	●	●	●	●	●	●	●	●	
		6W, 10W, 15W	7GBD□BMH		●	●		●	●	●		●	●	●		●	●	●		●	●	●		●	●	●	●	●	●	●	●	●	●	●	●	●
		15W, 25W	8GBK□BMH		●	●	●	●	●	●		●	●	●		●	●	●	●	●	●	●		●	●	●	●	●	●	●	●	●	●	●	●	●
		40W	9GBK□BMH	●	●	●	●	●	●	●	●	●	●	●	●	●	●	●	●	●	●	●	●	●	●	●	●	●	●	●	●	●	●	●	●	●
Parallel Gearhead	P Type	60W-120W	9PBK□BH/9PFK□BH	●	●	●	●	●	●	●	●	●	●	●	●	●	●	●	●	●	●	●	●	●	●	●	●	●	●	●	●	●	●	●	●	
	H Type	60W-200W	9HBK□BH/9HFK□BH		●	●		●		●		●		●		●		●		●		●		●		●		●		●		●		●		
Worm Gearhead	W Type	15W, 25W	8WD□BL/□BR/□BRL								●	●(12)	●	●		●	●	●		●	●															
		40W-120W	9WD□BL/□BR/□BRL								●	●(12)	●	●		●	●	●		●	●															
	WH Type	60W-200W	9WH□□							●		●		●		●	●		●	●	●		●													
Inter-Decimal Gearhead	15W, 25W	8XD10M*									●																									
	40W-200W	9XD10M*									●																									

Enter the gear ratio in the box(□) within the model name. Enter the model type of attaching gearhead (G/P/H/W/WH) in the place*.

DKM Global Network



HQ and Global Branches

DKM Korea Headquarters**DKM Motor Co., Ltd.**

4F., Incheon Techpia Na-Bldg., 223-38, Seoknam2-dong, Seo-gu, Incheon, Republic of Korea
 Tel. +82 32 574 7788 | Fax. +82 32 578 7787
 www.dkmmotor.com | info@dkmmotor.com

DKM China

苏州菲曼德精密机械设备有限公司

No.2 JiuJiang Road Industrial Park SuZhou JiangSu, China 215000
 Tel. +86 0512 81668158 | Fax. +86 0512 62909791
 www.dkmmotor.com.cn | 1689691938@qq.com

DKM Singapore**DKM South Asia Pte Ltd**

No.25, Woodlands Industrial Park E1, #05-01, Singapore 757743
 Tel. +65 6365 1103 | Fax. +65 6365 1203
 tilee@dkm-southasia.com.sg

DKM Europe**DKM Motor Co., Ltd.**

Martin-Behaim-Strasse 12-14, 63263 Neu-Isenburg, Germany
 Tel. +49 6102 369 9513 | Fax. +49 6102 369 9514
 j.choi@dkmmotor.com

Global Agencies

Asia**India**

Suvik Electronics Pvt. Ltd.
 Plot No.: 102/A, GIDC
 Engineering Estate, Sector-28,
 Gandhinagar-382028.,
 Gujarat, India
 Tel. +91 79 23212001
 Fax. +91 79 23212006
 www.suvik.com
 info@suvik.com

Indonesia

UD. DINAMIKA KARYA
 MAKMUR
 JL. Sunter Niaga III Blok
 G 4/No.9 Sunter Agung
 Podomoro Jakarta – Utara
 14350, Indonesia
 Tel. +62 21 6414647, 6519443
 Fax. +62 21 6414675
 dkm.indo@gmail.com

Israel

Solutions
 23 Hata'as st, Kfar-Sava,
 44641, P.O.B 2483, Israel
 Tel. +972 9 7457733
 Fax. +972 9 7457734
 www.solutions.co.il
 info@solutions.co.il

Malaysia

Servo-Matic Technology
 No.23A, Jalan Jati 2,
 Taman Nusa Bestari Jaya,
 81300 Skudai, Johor Bahru,
 Johor, Malaysia
 Tel. +607 511 4313
 Fax. +607 511 6313
 www.servo-matic.com.my
 account@servo-matic.com.my

Thailand

Pneumax Co., Ltd.
 107/1 Chaloe Phrakiat R. 9
 Rd., Prayet, Bangkok 10250
 Tel. +66 2 7268000
 Fax. +66 2 7268260
 www.pneumax.co.th
 sales@pneumax.co.th

Vietnam

Dong A Electric Co., Ltd.
 449/19 Su Van Hanh St., Ward
 12, District 10, HCM City,
 Vietnam
 Tel. +84 8 3862 0048
 Fax. +84 8 3862 0049
 www.dongaelectric.com
 donga-electric@vnn.vn

Europe**Czech Republic /
Poland / Slovakia**

RAVEO s.r.o.
 Třída Tomáše Bati 332,
 Otrokovice 765 02,
 Česká Republika
 Tel. +420 577 663 875
 Fax. +420 577 663 875
 www.raveo.cz
 info@raveo.cz

Germany

Ott GmbH & Co. KG
 Baarstrasse 3,
 78652 Deisslingen, Germany
 Tel. +49 7420 93990
 Fax. +49 7420 939925
 www.ott-antriebe.de
 info@ott-antriebe.de

**Powertronic Drive Systems
GmbH**

Hartmannstr. 36,
 12207 Berlin, Germany
 Tel. +49 30 771 9635
 Fax. +49 30 771 5036
 www.power-tronic.com
 info@power-tronic.com

Italy

Pamoco S.p.a.
 Via R. Lombardi, 19/6,
 20153 Milano, Italy
 Tel. +39 02 3456091
 Fax. +39 02 33104342
 www.pamoco.it
 info@pamoco.it

Lithuania

WEG Baltic IS, UAB
 Berzu 8, 36233 Panevezys,
 Lithuania
 Tel. +370 45 508408
 Fax. +370 45 508409
 www.techselis.eu
 info@techselis.eu

Russia

Electroprivod Ltd.
 29A, Vyborgskaya emb.,
 St.-Petersburg, 194044,
 Russian Federation
 Tel. +7 812 703 09 81
 www.electroprivod.ru
 sale@electroprivod.ru

Turkey

Öztrak
 İkitelli O.S.B. Tumsan San.Sit.,
 2.Kisim C Blok No:24,
 Istanbul, Turkey
 Tel. +90 212 485 10 52
 Fax. +90 212 485 10 54
 www.ozmak-as.com.tr
 ozmak@ozmak-as.com.tr

The Americas**Mexico**

Electronica Industrial
 Y Pirometria,S.A DE C.V.
 Isla Tortuga No. 2621,
 Guadalajara, Jal. Mexico
 Tel. +33 38 10 02 44
 Fax. +33 80 10 03 69
 www.pirometria.com
 ventas@pirometria.com